

## Evaluation Board for CS5368

### Features

- ◆ Single-Ended to Differential Analog Inputs
- ◆ 3.3 V Logic Interface
- ◆ Connection for DSP Serial I/O
- ◆ Windows®-Compatible CDB5368 Software Supplied by Cirrus to Configure the CS5368
- ◆ On-Board CS8406 to Generate S/PDIF and EIAJ-340 Digital Audio
- ◆ Requires Only an Analog Signal Source, Power Supplies and, optionally, a PC for a Complete Analog-to-Digital-Converter Evaluation System

### Description

The CDB5368 evaluation board is an excellent means for quickly evaluating the CS5368 24-bit, 192 kHz A/D converter. Evaluation requires only a digital signal analyzer, an analog signal source, and a power supply.

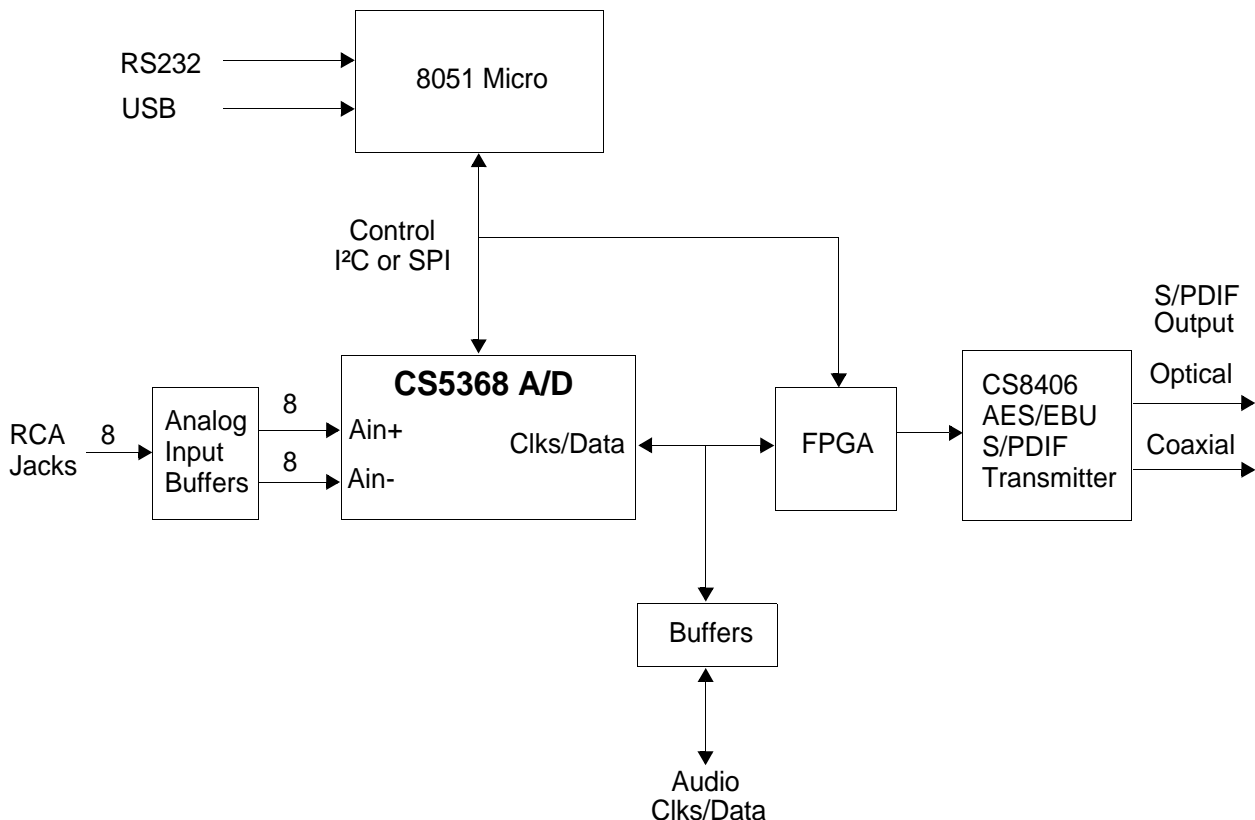
On-board DIP switches configure the CS5368 in Stand-Alone mode, avoiding the need for a PC.

For software-based device configuration, the Control Port mode is used by attaching a host PC to the Evaluation Board and executing the provided FlexGUI software.

### ORDERING INFORMATION

CDB5368

Evaluation Board



## TABLE OF CONTENTS

1. CDB5368 System Overview.....	3
2. Quick-Start Guide.....	3
3. Detailed Board Features .....	3
3.1 Stand-Alone Evaluation .....	3
3.1.1 S1 and S4 Switch Operation .....	4
3.2 Control-Port Evaluation .....	5
3.3 FlexGUI Hi-Level View .....	6
3.4 FlexGUI Low-Level View .....	7
3.5 Bit Definitions .....	8
3.5.1 CS5368 Bits .....	8
3.5.2 FPGA Bits .....	8
4. CDB5368 Hardware.....	9
4.1 Input and Output Connectors .....	9
4.2 Switches .....	10
4.3 User Configuration Jumpers .....	10
4.4 Reserved Factory Programming Jumpers .....	10
4.5 Power Supply Circuitry .....	11
4.6 Grounding and Power Supply Treatment .....	11
4.7 FPGA Hardware .....	11
4.8 CS8406 S/PDIF Audio Transmitter .....	11
4.9 Serial Audio Interface .....	11
4.10 Analog Input Buffer .....	11
5. Schematics.....	12
6. Board Layout and Routing Plots .....	21
7. Revision History .....	24

## LIST OF FIGURES

Figure 1. Hi-Level FlexGUI View .....	6
Figure 2. FlexGUI Low-Level Register View .....	7
Figure 3. FPGA Low-Level Bit View .....	8
Figure 4. CS5368 (Schematic page 1) .....	12
Figure 5. Clock Generation (Schematic page 2) .....	13
Figure 6. FPGA (Schematic page 3) .....	14
Figure 7. Control Port (Schematic page 4) .....	15
Figure 8. Clock and Data Buffers (Schematic page 5) .....	16
Figure 9. CD8406 S/PDIF Output (Schematic page 6) .....	17
Figure 10. Analog Inputs 1 to 4 (Schematic page 7) .....	18
Figure 11. Analog Inputs 5 to 8 (Schematic page 8) .....	19
Figure 12. Power (Schematic page 9) .....	20
Figure 13. Top Silkscreen .....	21
Figure 14. Top Layer .....	22
Figure 15. Bottom Layer .....	23

## LIST OF TABLES

Table 1. CDB5368 Input and Output Connectors .....	9
Table 2. CDB5368 Switches .....	10
Table 3. User Jumpers .....	10
Table 4. CDB5368 Reserved Jumpers .....	10

---

## 1. CDB5368 SYSTEM OVERVIEW

The CDB5368 Evaluation Board provides an excellent means of quickly evaluating the CS5368. A digital audio interface transmitter (CS8406) provides an easy interface to digital audio signal analyzers, including the majority of digital audio test equipment. Standard analog input and digital output connectors are included for quick and reliable board setup. An on-board FPGA is used for configuring the various modes of the CS5368. Graphical User Interface software is supplied by Cirrus Logic, which allows programming the CDB5368 when connected to a host PC running Microsoft Windows®.

## 2. QUICK-START GUIDE

- Confirm that DIP switches S1 and S4 are in the closed (LO) position, pushed down to the right.
- Connect the following jumpers.
  - J7 - Install 5 jumpers to the left side of J7, enabling the DIP switches to operate correctly.
  - J81, J95 - Install jumpers to these positions, grounding XT1 and XTO of the CS5368.
  - J1 - Install a jumper at the +5 V position, allowing VA to be supplied by the +5 V supply.
- Install a 12.288 MHz canned Oscillator to socket Y1, providing a Master Timing Clock for the system.
- Install a jumper to J11 at the OSC position to enable the OSC drive buffer.
- Connect power supply common to the GND binding post. Connect +5 V, +12 V and -12 V to the binding posts as marked on the board silkscreen

This configuration provides a completely operational 24-bit Analog-to-Digital-Converter evaluation system. The CS5368 is operating as a Master Device in Single Speed Mode with a 48 kHz sampling rate. Apply power and connect analog input signals of 1 Vrms maximum (full scale) to the RCA inputs jacks. S/PDIF Digital audio data is available for evaluation at the Optical and Coaxial outputs.

## 3. DETAILED BOARD FEATURES

The CDB5368 Evaluation Board supports both the Stand-Alone and Control Port modes of the CS5368. An FPGA (U2) controls digital signal routing between the CS5368, the CS8406 and the DSP I/O header. For user-friendly evaluation of the TDM interface, the FPGA will translate TDM data into PCM data and send it to the CS8406.

### 3.1 Stand-Alone Evaluation

In Stand-Alone mode, the CDB5368 runs without an external PC attached. In this mode, the FPGA controls operation of the board by dynamically reading DIP switches (S1 and S4) after a cold power-up or a push-button board reset. Stand-Alone mode provides the most commonly used device settings. For additional control of the CS5368, Control Port mode is used.

In Stand-Alone mode, as the DIP switches are repositioned, the FPGA simultaneously sets the appropriate pins on the CS5368 and CS8406 to keep them synchronized with regard to sampling speed and data format.

---

### **3.1.1 S1 and S4 Switch Operation**

DIP Switch S1 contains six switches that function as described below.

M1,M0 set the device Speed Mode

- 0x00 Single Speed Master
- 0x01 Double Speed Master
- 0x10 Quad Speed Master
- 0x11 Slave all speed

DIF1,DIF0 set the Digital Audio Interface Data format

- 0x00 Left Justified
- 0x01 I<sup>2</sup>S
- 0x10 TDM 2-wire
- 0x11 TDM 4-wire

TDM1 and TDM0 support both TDM mode and PCM mode.

In TDM mode, TDM1 and TDM0 select two stereo pairs from a TDM stream, convert the data to Left-Justified PCM format then send the data to the CS8406 S/PDIF transmitter.

- 0x00 TDM Pair 1 (Channel 1, 2)
- 0x01 TDM Pair 2 (Channel 3, 4)
- 0x10 TDM Pair 3 (Channel 5, 6)
- 0x11 TDM Pair 4 (Channel 7, 8)

In PCM mode, TDM1 and TDM0 select which SDOOUT is sent to the CS8406.

- 0x00 SDOOUT1 (Channel 1, 2)
- 0x01 SDOOUT2 (Channel 3, 4)
- 0x10 SDOOUT3 (Channel 5, 6)
- 0x11 SDOOUT4 (Channel 7, 8)

DIP Switch S4 contains two switches which function as described below.<sup>7</sup>

MDIV - divides the master clock by 2 when OPEN (HI).

CLKMODE - divides the master clock by 1.5 when OPEN (HI)

---

## 3.2 Control-Port Evaluation

The CDB5368 is shipped with a Cirrus Logic designed Microsoft Windows-based program that allows full control over the CS5368 internal registers. This software program is called the FlexGUI, and it is loaded by executing the FlexLoader.exe file. Hardware interface to the FlexGUI is provided by connecting an RS-232 cable or a USB cable between a host PC and the CDB5368. Once the FlexGUI is loaded, the Evaluation Board DIP switches are ignored, and all register settings are available for reading and writing using software control. Testing configurations may be quickly reproduced by using the FlexGUI to save and restore unique register settings.

Configure the board for Control Port operation using the instructions that follow.

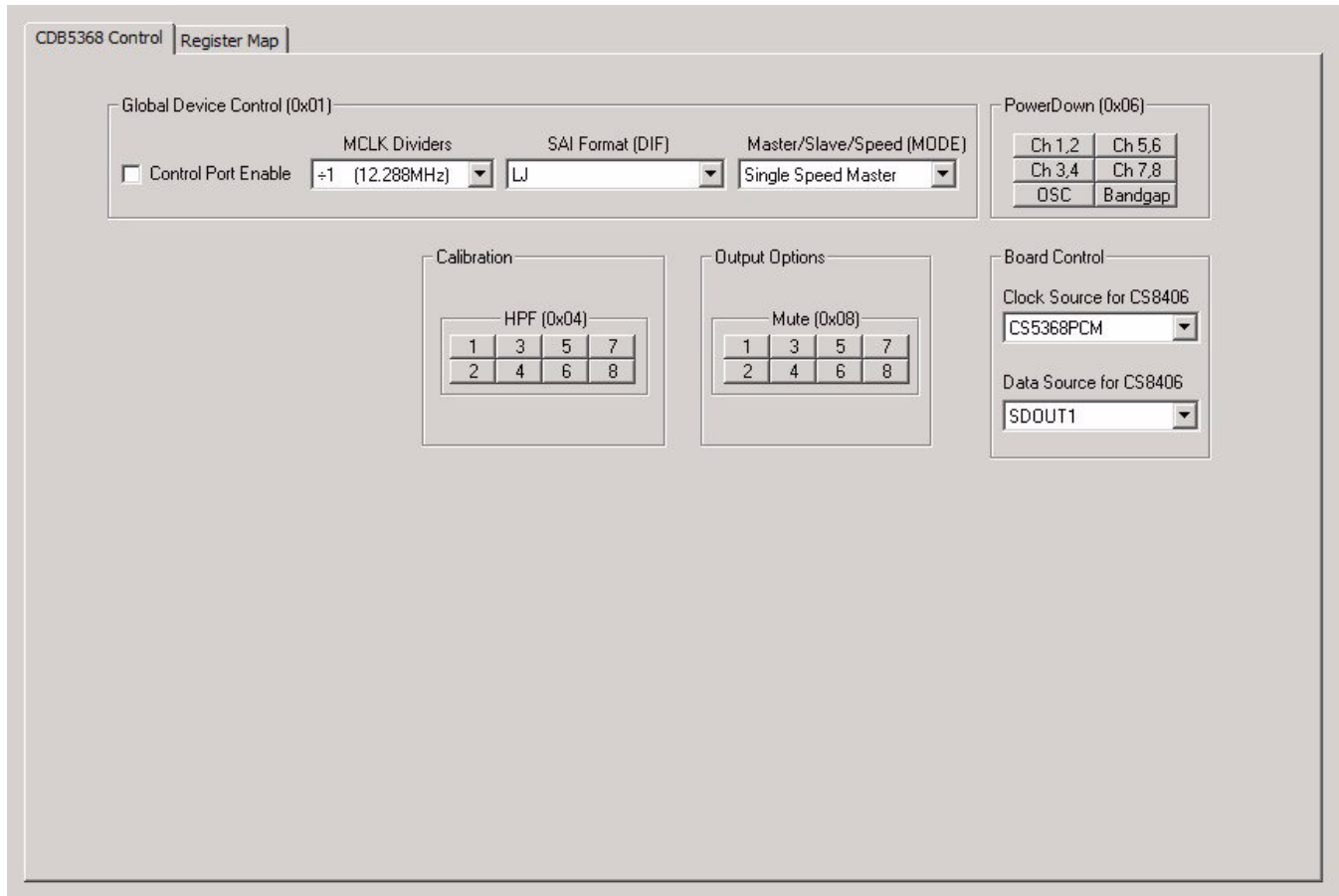
- Connect jumpers.
  - J7 - Install 5 jumpers to the left side of J7, enabling the I<sup>2</sup>C control interface.
  - J81, J95 - Install jumpers to these positions, grounding XTI and XTO of the CS5368.
  - J9 - Install a jumper at the +5 V position, allowing VA to be supplied by the +5 V supply (VA may be externally supplied at the VA binding post by moving jumper J9 to the VA EXT position).
- Add an oscillator of choice to socket Y1 to provide a Master Timing Clock for the system. A crystal may also be used by removing the canned oscillator and jumpers J81, J95 and J11. The CDB5368 Evaluation Board is shipped with 39 pF loading capacitors for crystal-based oscillators. Soldering pads are provided on the board for users that require third overtone tank circuit operation or different loading capacitors.
- Connect the power supply common to the GND binding post. Connect +5 V, +12 V and -12 V to the binding posts as marked on the board silkscreen.

The FlexGUI provides two convenient views of the CDB5368 Evaluation Board settings. The default view is a high-level functional mapping of settings. The second view is a lower-level register map view for programming at the bit level. Each view is synchronized with the other view, so that changing a setting at one level will also change the corresponding setting in the alternate level.

### 3.3 FlexGUI Hi-Level View

The Cirrus Logic FlexGUI defaults to the Hi-Level View as shown in [Figure 1](#). This view provides functionally grouped control over the CS5368, reducing the need to memorize the exact location of bit settings. Any register may be modified at any time; however, the effect of changes made to the CS5368 is gated off until the Control Port Bit is enabled.

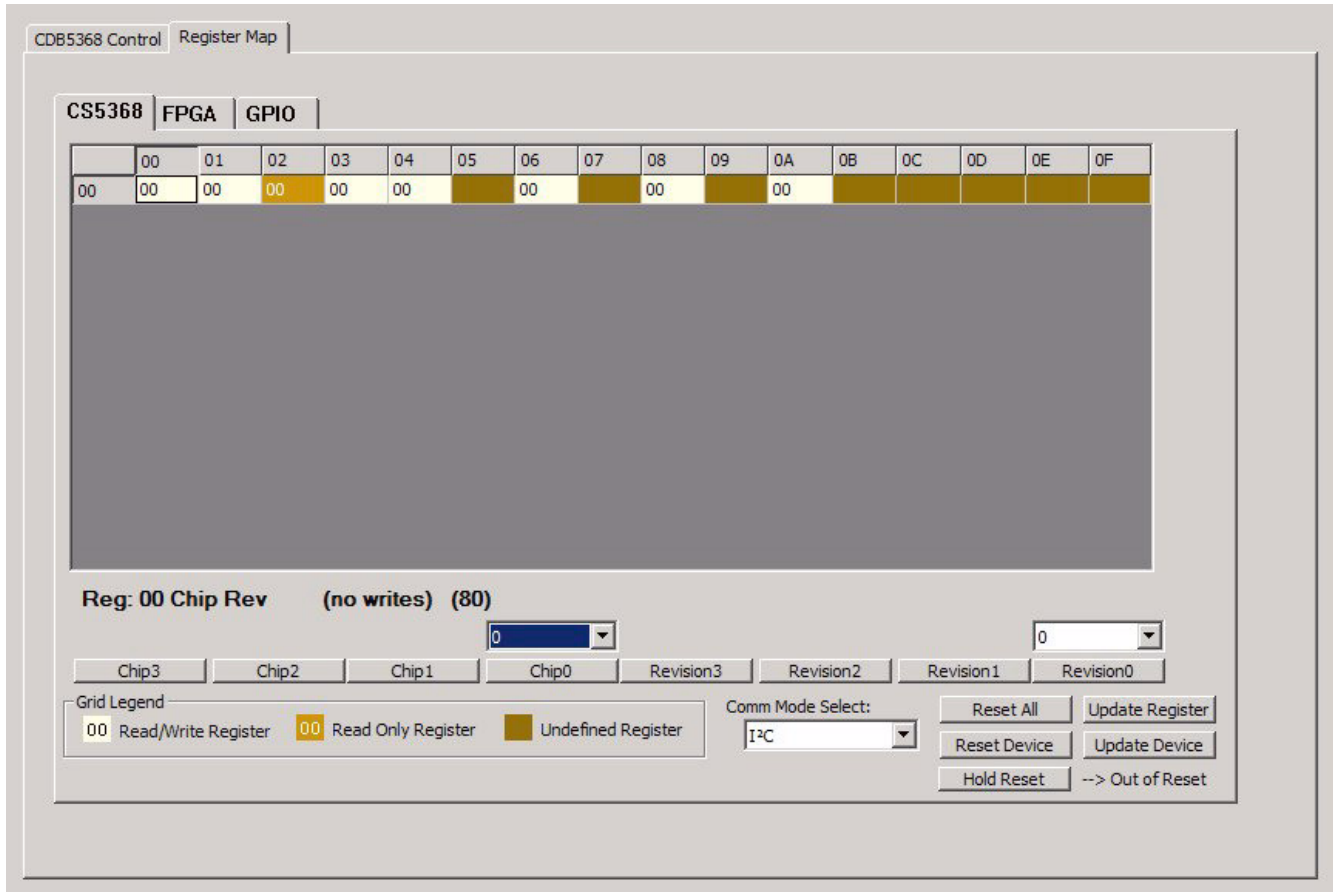
When switching to TDM mode, the CS8406 Clock and Date source (Board Control Panel) must be changed prior to changing the CS5368 SAI format. This sequential ordering resets the FPGA to assure that it timed properly with the CS5368 TDM packet stream.



**Figure 1. Hi-Level FlexGUI View**

### 3.4 FlexGUI Low-Level View

The Low-level Register Map view provides direct control over the CS5368, the FPGA and GPIO settings that change the CS5368 device address. Select the desired device tab; then select and modify any write-register values. Register modification is always a READ-WRITE-READ operation and is usable at both the byte or bit level. For byte-level control, type the required hex value in the desired register field numerical box. For bit-level control, click the corresponding graphical push-button in the desired register field or use the pull-down menu to access and change the bit values.



**Figure 2. FlexGUI Low-Level Register View**

When the CS5368 is put in Control Port mode, the DIP switches are ignored and configuration is determined by the register bits. When placed back in Stand-Alone mode, the DIP switches regain board control. Exiting Control Port mode is achieved by stopping the FlexGUI program. Once the program is stopped, about three seconds later, Stand-Alone mode is established.

## 3.5 Bit Definitions

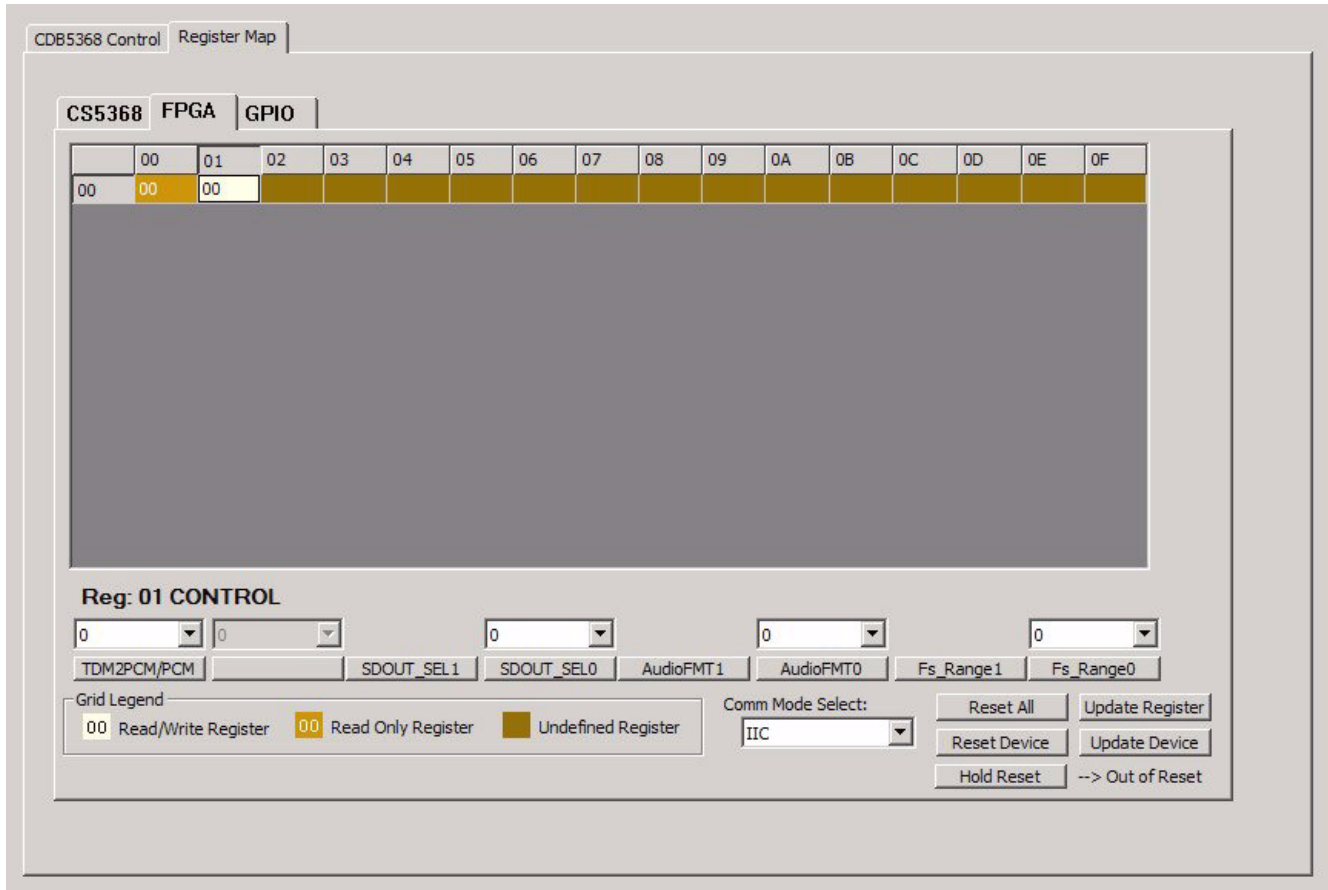
### 3.5.1 CS5368 Bits

The Low-Level view of the FlexGUI provides the full register set of the CS5368 under the CS5368 tab. The CS5368 datasheet provides full details of internal register operation.

### 3.5.2 FPGA Bits

FPGA Register 0x00 is non-functional and only contains the revision code of the FPGA.

FPGA Register 0x01 is a functional register that provides the following functionality.



**Figure 3. FPGA Low-Level Bit View**

Fs\_Range1,0 set the device Speed Mode. These bits need to be changed when using the Serial Audio Interface of the DSP header to communicate with external equipment.

- 0x00 Single Speed Master
- 0x01 Double Speed Master
- 0x10 Quad Speed Master
- 0x11 Slave all speed

AudioFMT1,0 set the Serial Audio Interface format when attaching the Serial Audio Interface of the DSP header to external equipment.

- 0x00 Left Justified
- 0x01 I<sup>2</sup>S
- 0x10 TDM 2-wire
- 0x11 TDM 4-wire



In TDM mode, SDOUT\_SEL1 and SDOUT\_SEL 0 extract two stereo pairs from the CS5368 TDM stream, convert the data to Left-Justified PCM format and send the data to the CS8406 data input pin.

0x00 TDM Pair 1 (Channel 1, 2)

0x01 TDM Pair 2 (Channel 3, 4)

0x10 TDM Pair 3 (Channel 5, 6)

0x11 TDM Pair 4 (Channel 7, 8)

In PCM mode, SDOUT\_SEL1 and SDOUT\_SEL 0 select which SDOUT pin of the CS5368 is sent to the CS8406.

0x00 SDOUT1 (Channel 1, 2)

0x01 SDOUT2 (Channel 3, 4)

0x10 SDOUT3 (Channel 5, 6)

0x11 SDOUT4 (Channel 7, 8)

TDM2PCM/PCM selects the clock source for the CS8406.

0x00 8406 Clock Source is CS5368

0x01 8406 Clock Source is the FPGA TDM2PCM engine

## 4. CDB5368 HARDWARE

The CDB5368 Evaluation Board has a number of connections, switches and jumpers that provide ease and convenience for quickly evaluating the most commonly used functions of the CS5368 silicon device. The following tables list the purpose of each hardware option on the Evaluation Board.

### 4.1 Input and Output Connectors

The input and output connectors provide power and signal connectivity to the CDB5368 Evaluation Board as shown in [Table 1](#).

DESIGNATOR	NAME	CLASS	FUNCTION
J6	GND	Ground	Ground connection from power supply
J2	+5 V	Power	+ 5 Volt power for CS5368
J16	+12 V	Power	+12 V power for the active input buffers
J17	-12 V	Power	-12 V power for the active input buffers
J18	AIN6	Analog Input	Analog input channel 6
J19	AIN5	Analog Input	Analog input channel 5
J20	AIN1	Analog Input	Analog input channel 1
J21	AIN2	Analog Input	Analog input channel 2
J22	AIN4	Analog Input	Analog input channel 4
J23	AIN3	Analog Input	Analog input channel 3
J24	AIN7	Analog Input	Analog input channel 7
J25	AIN8	Analog Input	Analog input channel 8
OPT1	Optical Output	Digital Output	S/PDIF Optical Digital audio output
J3	Coax Output	Digital Output	S/PDIF Coaxial Digital audio output
J5	RS232 I/O	Digital I/O	FlexGUI Interface port to PC
J10	USB I/O	Digital I/O	FlexGUI Interface port to PC

**Table 1. CDB5368 Input and Output Connectors**

## 4.2 Switches

The CDB5368 Evaluation Board switches are used for setting speed modes and format protocols and for resetting devices to their default state. The switch functions are described in [Table 2](#).

DESIGNATOR	NAME	FUNCTION (see CS5368 Datasheet for details)
S1-1	M0	speed mode; Master/Slave function
S1-2	M1	speed mode; Master/Slave function
S1-3	DIF0	Data Format
S1-4	DIF1	Data Format
S1-5	TDM0	Select Channel pairs for S/PDIF output
S1-6	TDM1	Select Channel pairs for S/PDIF output
S4-1	MDIV	Master Clock Divider
S4-2	CLKMODE	Master Clock Divider
S3	BOARD RESET	Resets CS5368, CS8406 and FPGA
S2	PGM	Forces FPGA to be loaded with new code (not needed by user)

**Table 2. CDB5368 Switches**

## 4.3 User Configuration Jumpers

The CDB5368 Evaluation Board jumpers are used for signal routing as shown in [Table 3](#)

DESIGNATOR	NAME	FUNCTION
J7	CONTROL	Select I <sup>2</sup> C control Source
J91	-	Short to ground when not using Crystal
J85	-	Short to ground when not using Crystal
J11	OSC/XTL	Canned Oscillator/Crystal Selection
J9	+5 V/VA EXT	VA source selector
J4	DSP HEADER	

**Table 3. User Jumpers**

## 4.4 Reserved Factory Programming Jumpers

The CDB5368 Evaluation Board has two reserved headers, J15 and J8, that are used to factory program the Cygnal<sup>®</sup> 8051 microprocessor and the Xilinx<sup>®</sup> FPGA so that the FlexGUI interface operates correctly.

**Caution!** Do not apply power or shorts to these two jumpers as device damage could occur.

DESIGNATOR	NAME	FUNCTION
J15	MICRO_PROG	Reserved interface for pre-programming the Evaluation Board
J8	JTAG	Reserved interface for pre-programming the Evaluation Board

**Table 4. CDB5368 Reserved Jumpers**

---

## 4.5 Power Supply Circuitry

Power is applied to the evaluation board through five binding posts (+5 V, +12 V, -12 V, VA and GND). The GND connection is the common reference for power supplies. The +5 V binding post supplies digital power for all logic devices. The +12 V and -12 V binding posts supply power for the Operational Amplifier input buffers. The VA binding posts supplies power to the Analog Reference.

## 4.6 Grounding and Power Supply Treatment

As a high-performance mixed-signal device, the CS5368 requires careful attention to power and grounding arrangements to optimize CS5368 performance. The CDB5368 Evaluation Board provides an excellent reference example of an optimum two-layer board layout that places decoupling capacitors as close to the CS5368 as possible and provides ground plane fill on both top and bottom layers.

## 4.7 FPGA Hardware

The on-board FPGA is utilized for several purposes. In addition to providing a method for configuring the CS5368 in Software mode, it contains its own configuration registers that provide clock and data routing for Master and Slave modes of the CS5368. The FPGA contains a multiplexer that selects which SDOOUT line is routed to the CS8406. It also contains a TDM2PCM engine that extracts channel pairs from a TDM stream and sends them to the CS8406.

## 4.8 CS8406 S/PDIF Audio Transmitter

The system generates standard S/PDIF data using a CS8406 192 kHz Digital Audio Transmitter. The CS8406 receives input data from the FPGA in PCM format and transmits S/PDIF data on both optical and coaxial output connectors. The optical output connector is limited to a maximum speed of 96 kHz. The coaxial connector supports Quad Speed 192 kHz clocking rates.

## 4.9 Serial Audio Interface

In addition to the standard S/PDIF outputs, the Customer Evaluation Board has been designed to allow Master and Slave operation using the Serial Audio Interface (SAI) via the 14-pin header, J4, which includes the signals MCLK, SCLK, LRCK, and the four serial data lines.

When the CS5368 is in Slave mode, SCLK and LRCK/FS must be supplied externally through the J4 header.

## 4.10 Analog Input Buffer

The CDB5368 includes an example of an active low-noise, single-ended-to-differential analog input buffer shown in the schematic drawings, [Figures 10](#) and [11](#). Alternate active or passive, single-ended or differential topologies may be used as cost dictates. However, the high performance of the CS5368 may be compromised. Optimum device performance is met by buffering the CS5368 with a low noise structure that is stable with a 2700 pF output load.





Remove Canned OSC from socket if not used.

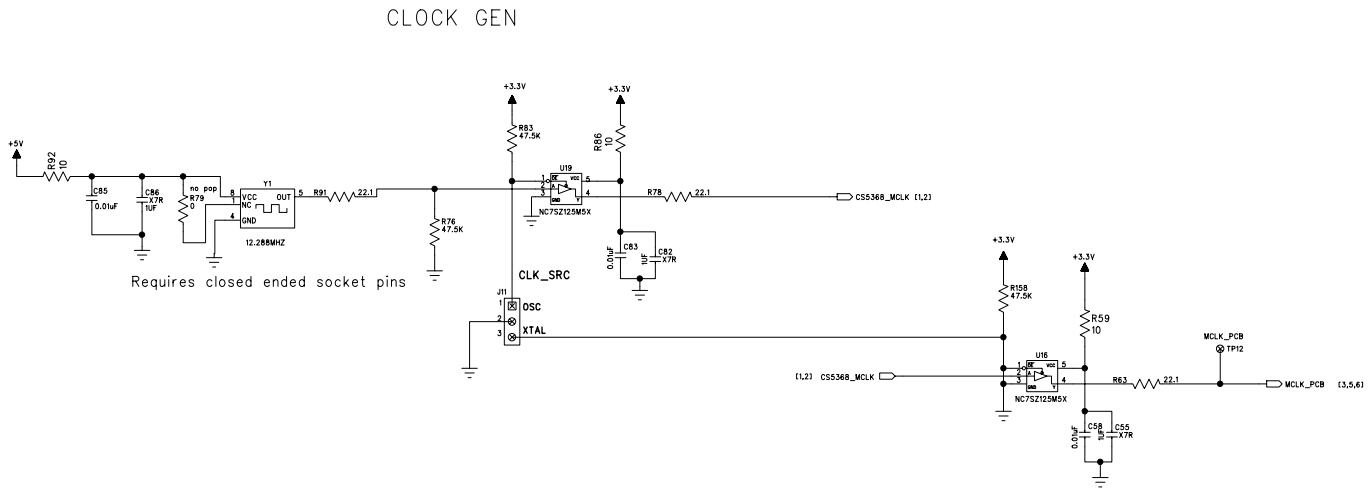


Figure 5. Clock Generation (Schematic page 2)

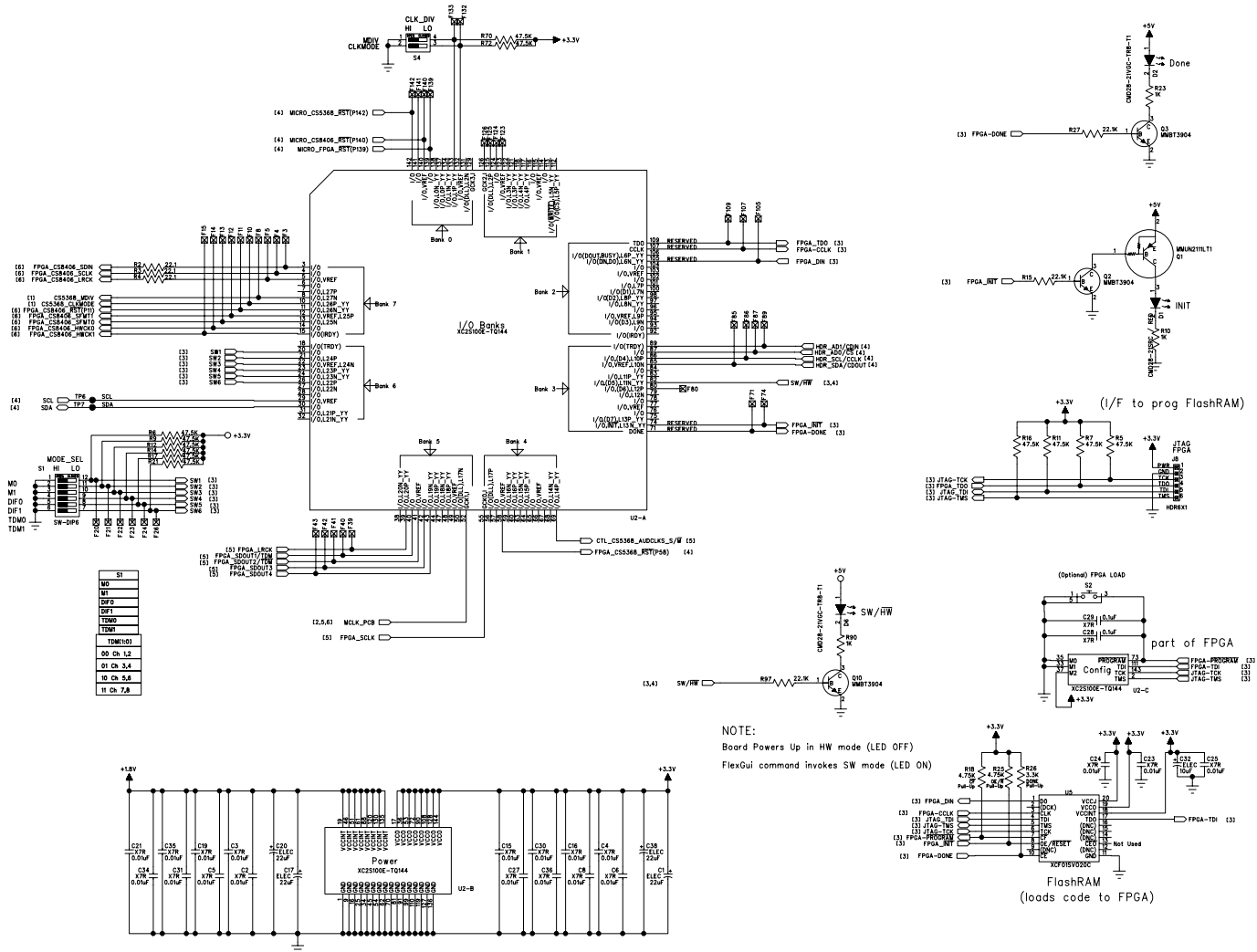


Figure 6. FPGA (Schematic page 3)

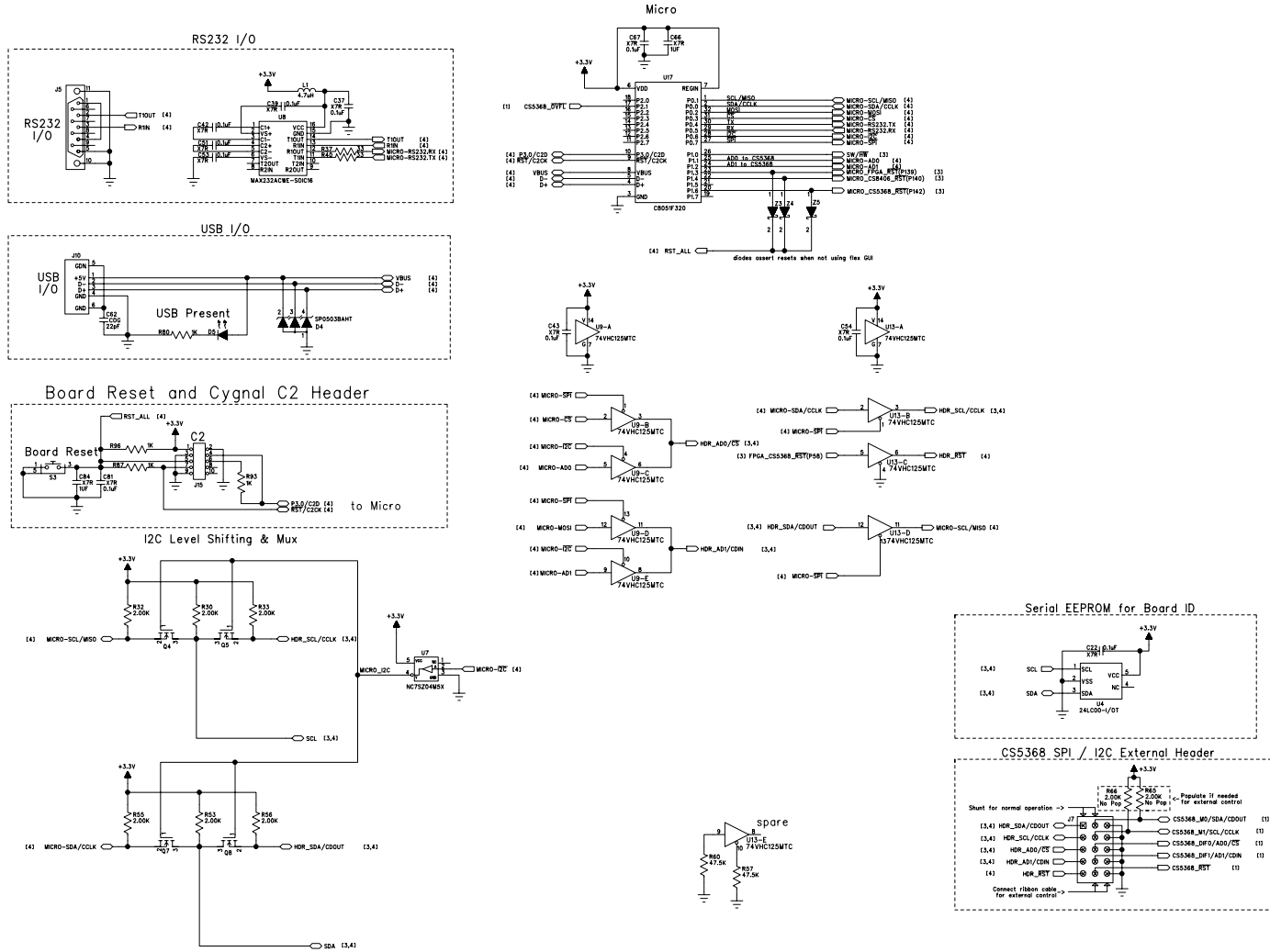


Figure 7. Control Port (Schematic page 4)

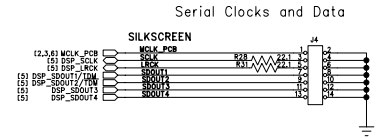
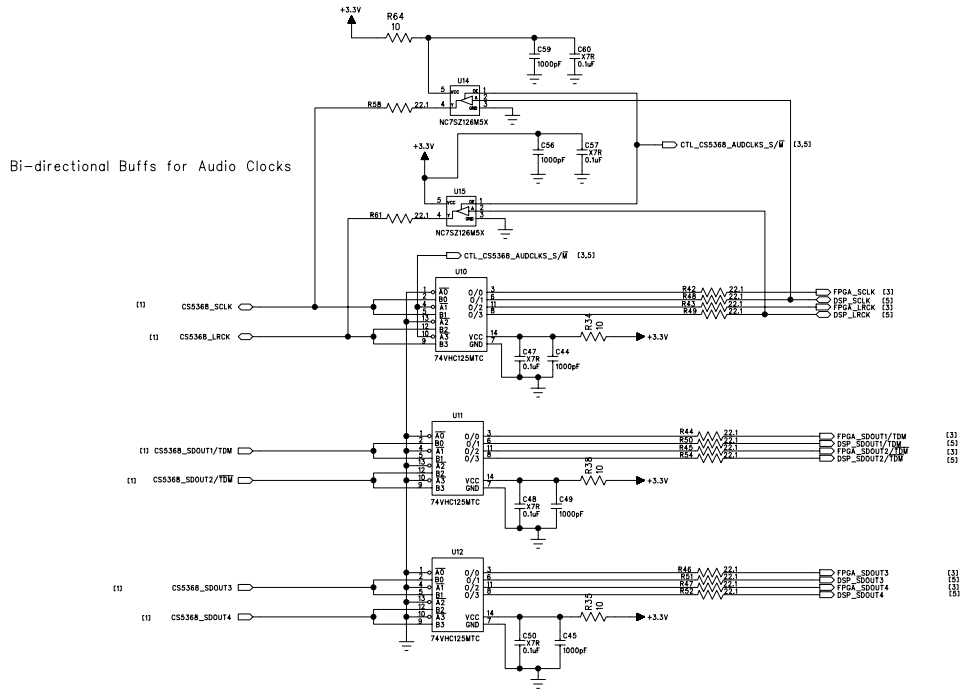


Figure 8. Clock and Data Buffers (Schematic page 5)



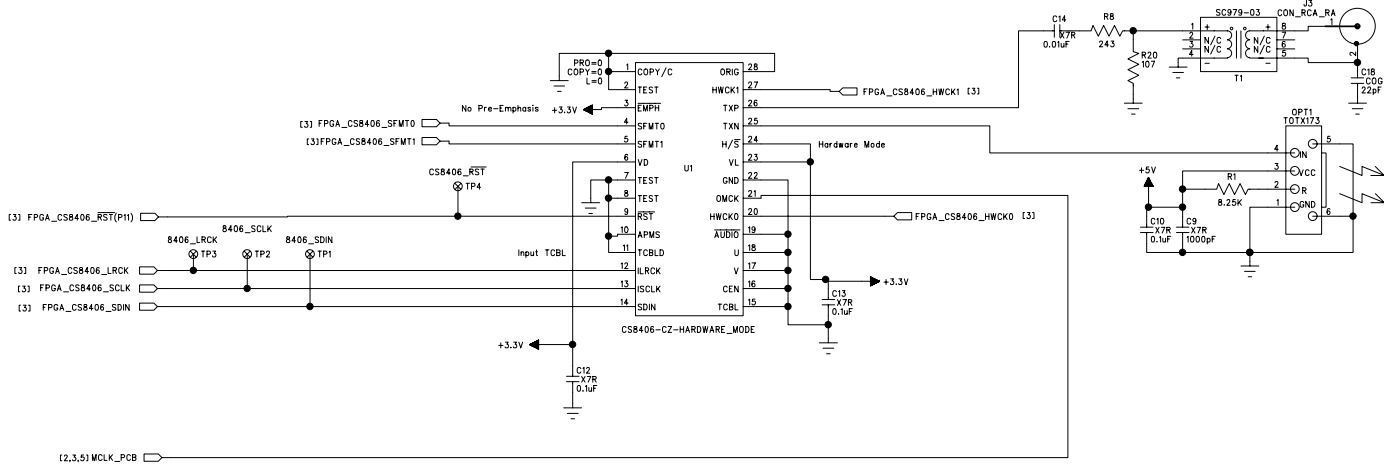


Figure 9. CD8406 S/PDIF Output (Schematic page 6)



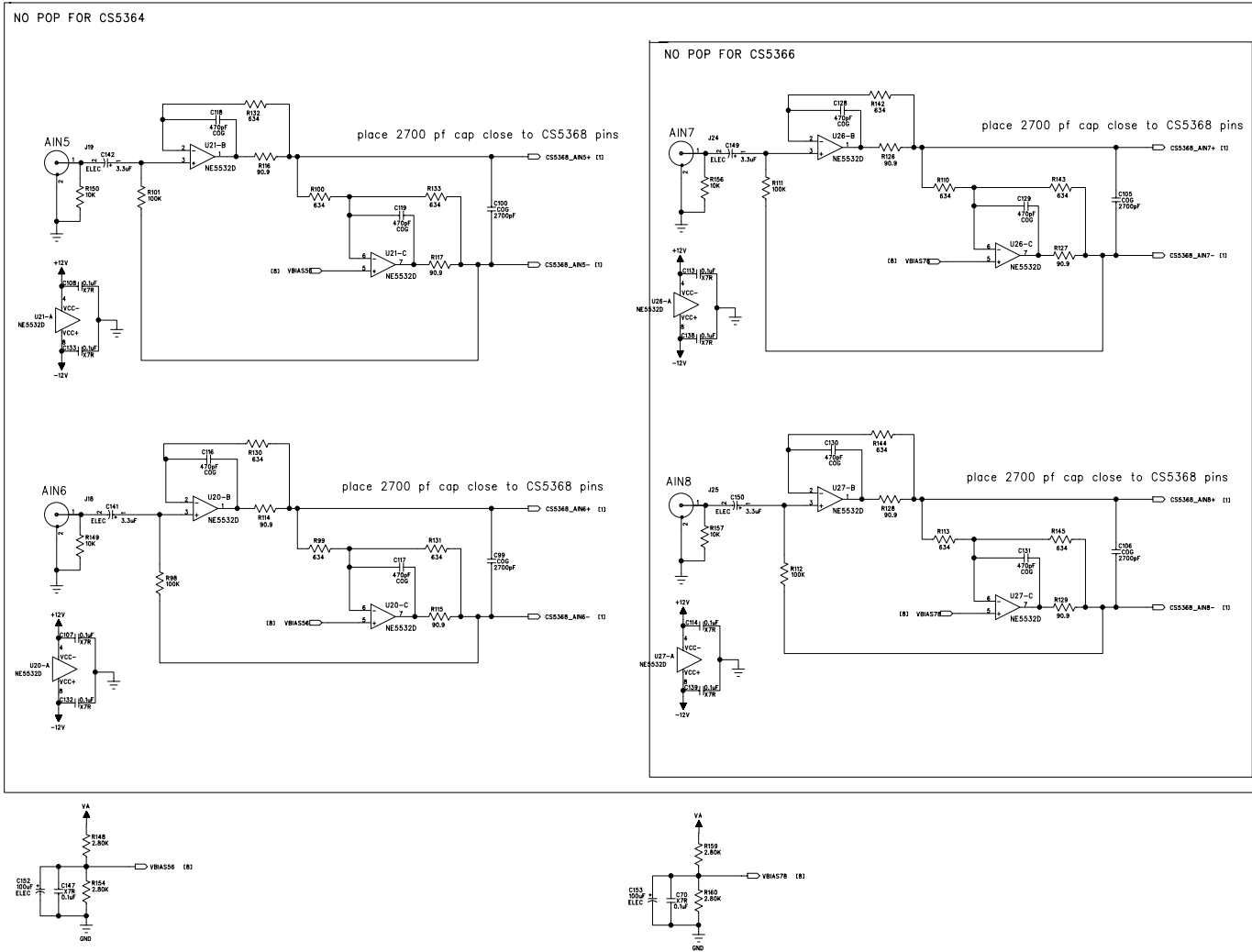


Figure 11. Analog Inputs 5 to 8 (Schematic page 8)

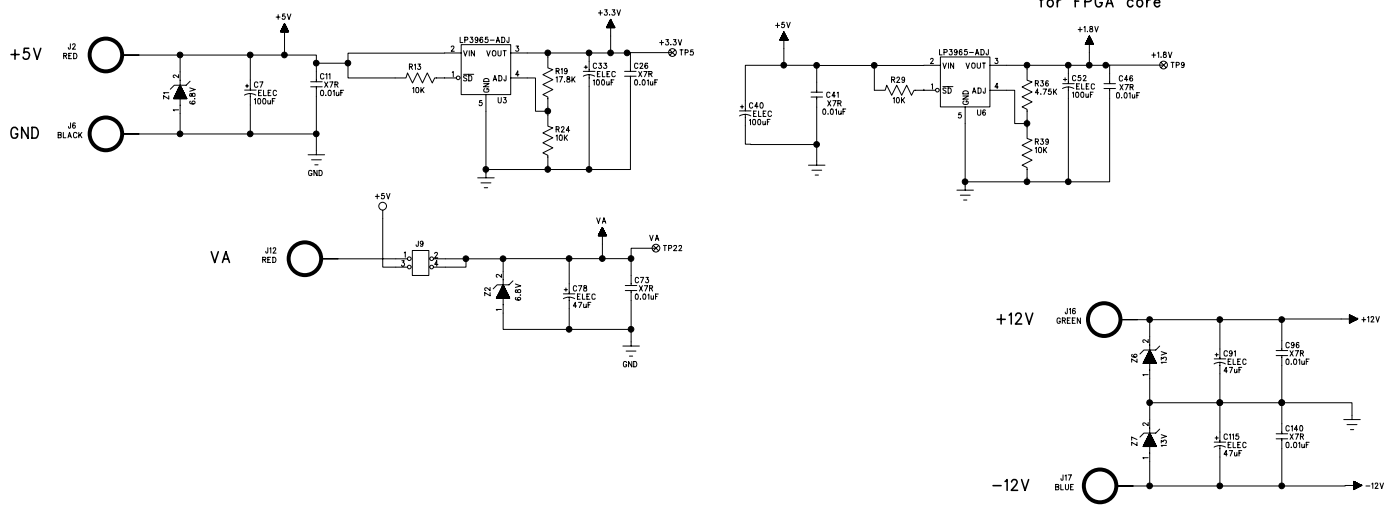


Figure 12. Power (Schematic page 9)

# 6. BOARD LAYOUT AND ROUTING PLOTS

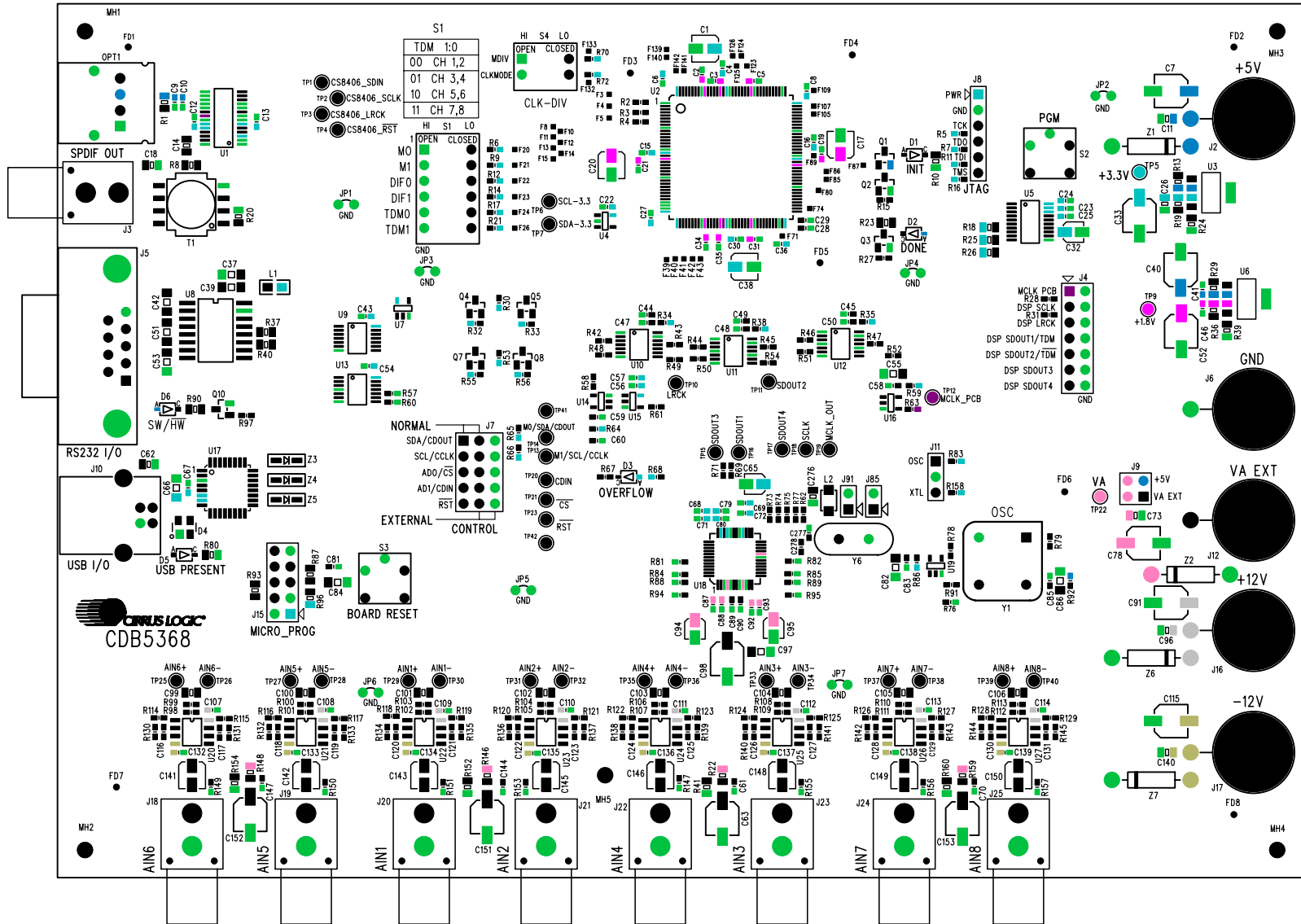


Figure 13. Top Silkscreen





CIRUS LOGIC®

CDB5368

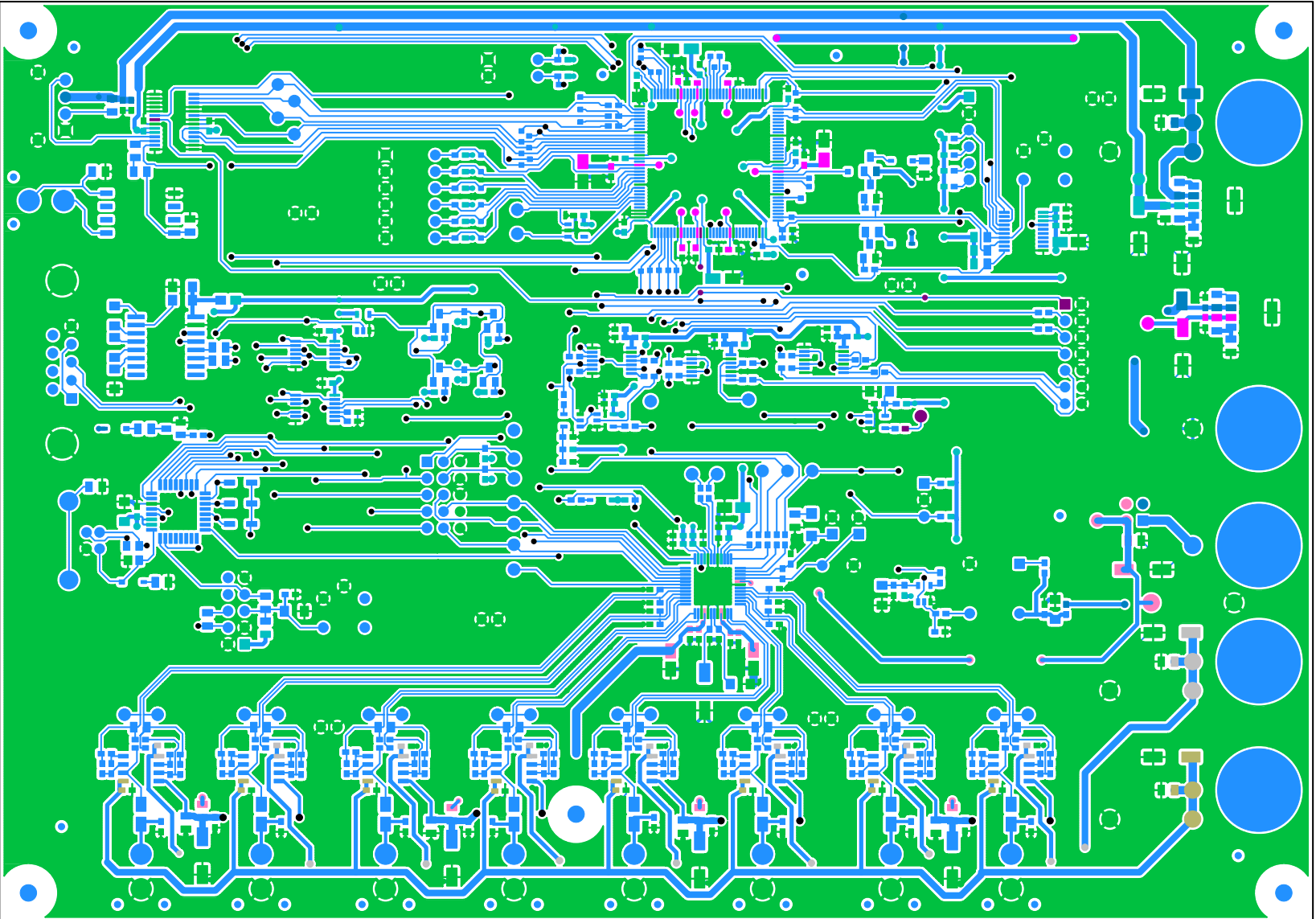


Figure 14. Top Layer

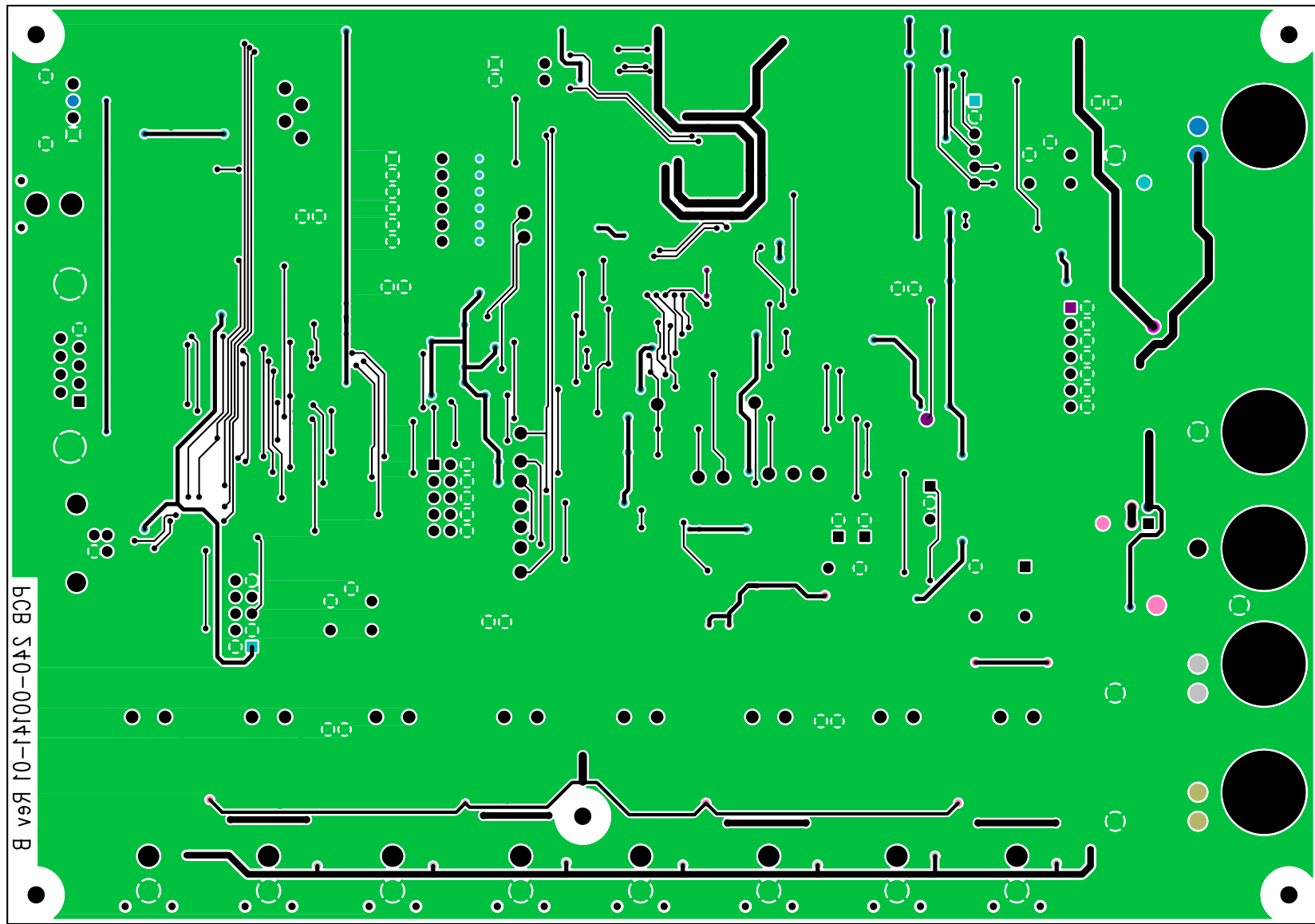


Figure 15. Bottom Layer

---

## 7. REVISION HISTORY

Release	Date	Changes
DB1	September 2005	Initial Release

---

### Contacting Cirrus Logic Support

For all product questions and inquiries contact a Cirrus Logic Sales Representative.

To find one nearest you go to <http://www.cirrus.com/corporate/contacts/sales.cfm>

---

#### IMPORTANT NOTICE

Cirrus Logic, Inc. and its subsidiaries ("Cirrus") believe that the information contained in this document is accurate and reliable. However, the information is subject to change without notice and is provided "AS IS" without warranty of any kind (express or implied). Customers are advised to obtain the latest version of relevant information to verify, before placing orders, that information being relied on is current and complete. All products are sold subject to the terms and conditions of sale supplied at the time of order acknowledgment, including those pertaining to warranty, indemnification, and limitation of liability. No responsibility is assumed by Cirrus for the use of this information, including use of this information as the basis for manufacture or sale of any items, or for infringement of patents or other rights of third parties. This document is the property of Cirrus and by furnishing this information, Cirrus grants no license, express or implied under any patents, mask work rights, copyrights, trademarks, trade secrets or other intellectual property rights. Cirrus owns the copyrights associated with the information contained herein and gives consent for copies to be made of the information only for use within your organization with respect to Cirrus integrated circuits or other products of Cirrus. This consent does not extend to other copying such as copying for general distribution, advertising or promotional purposes, or for creating any work for resale.

CERTAIN APPLICATIONS USING SEMICONDUCTOR PRODUCTS MAY INVOLVE POTENTIAL RISKS OF DEATH, PERSONAL INJURY, OR SEVERE PROPERTY OR ENVIRONMENTAL DAMAGE ("CRITICAL APPLICATIONS"). CIRRUS PRODUCTS ARE NOT DESIGNED, AUTHORIZED OR WARRANTED FOR USE IN AIRCRAFT SYSTEMS, MILITARY APPLICATIONS, PRODUCTS SURGICALLY IMPLANTED INTO THE BODY, AUTOMOTIVE SAFETY OR SECURITY DEVICES, LIFE SUPPORT PRODUCTS OR OTHER CRITICAL APPLICATIONS. INCLUSION OF CIRRUS PRODUCTS IN SUCH APPLICATIONS IS UNDERSTOOD TO BE FULLY AT THE CUSTOMER'S RISK AND CIRRUS DISCLAIMS AND MAKES NO WARRANTY, EXPRESS, STATUTORY OR IMPLIED, INCLUDING THE IMPLIED WARRANTIES OF MERCHANTABILITY AND FITNESS FOR PARTICULAR PURPOSE, WITH REGARD TO ANY CIRRUS PRODUCT THAT IS USED IN SUCH A MANNER. IF THE CUSTOMER OR CUSTOMER'S CUSTOMER USES OR PERMITS THE USE OF CIRRUS PRODUCTS IN CRITICAL APPLICATIONS, CUSTOMER AGREES, BY SUCH USE, TO FULLY INDEMNIFY CIRRUS, ITS OFFICERS, DIRECTORS, EMPLOYEES, DISTRIBUTORS AND OTHER AGENTS FROM ANY AND ALL LIABILITY, INCLUDING ATTORNEYS' FEES AND COSTS, THAT MAY RESULT FROM OR ARISE IN CONNECTION WITH THESE USES.

Cirrus Logic, Cirrus, and the Cirrus Logic logo and designs are trademarks of Cirrus Logic, Inc. All other brand and product names in this document may be trademarks or service marks of their respective owners.

IPC is a registered trademark of Philips Semiconductor.

Microsoft Windows is a registered trademark of Microsoft Corporation.

Cygnal is a registered trademark of Silicon Laboratories, Inc.

Xilinx is a registered trademark of Xilinx, Inc.